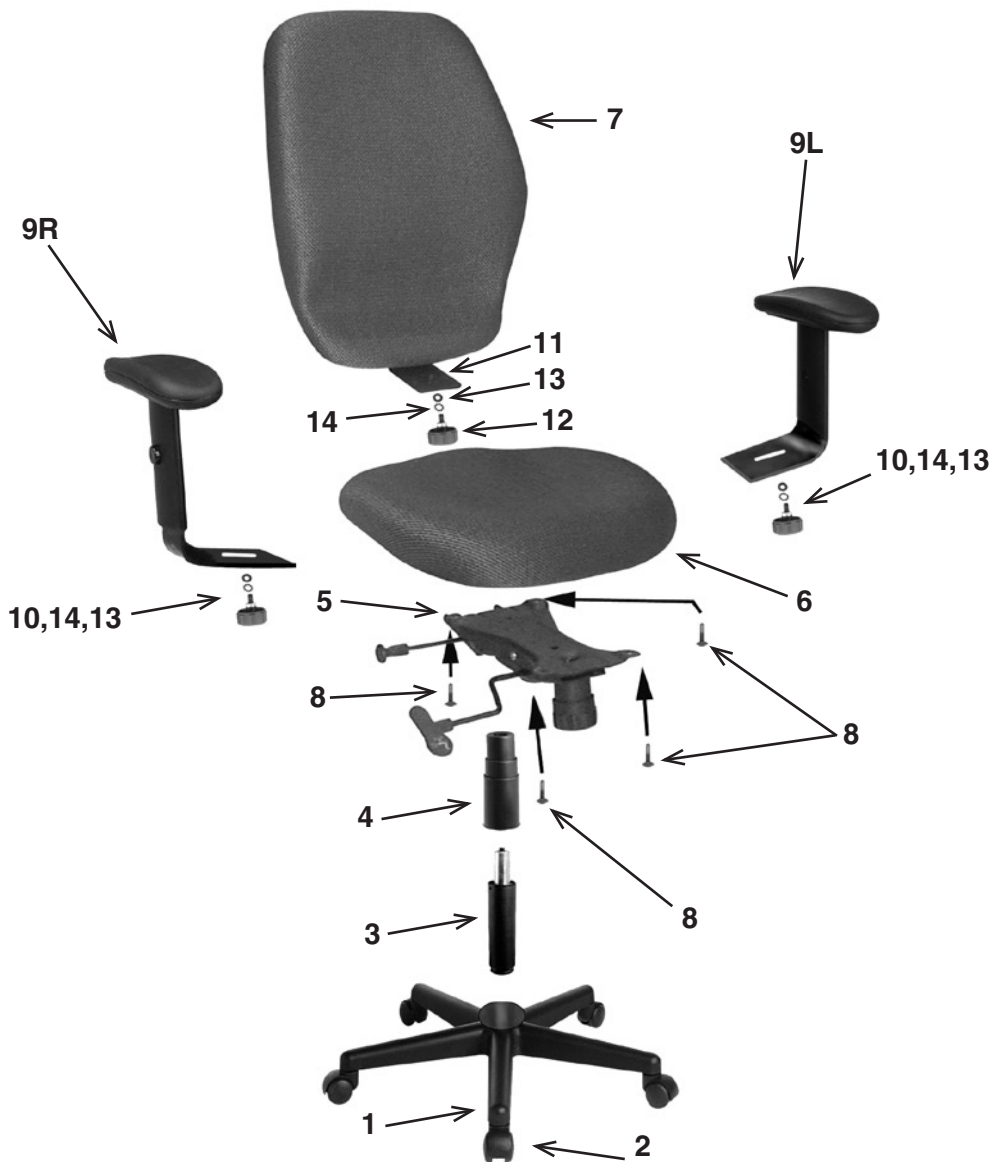
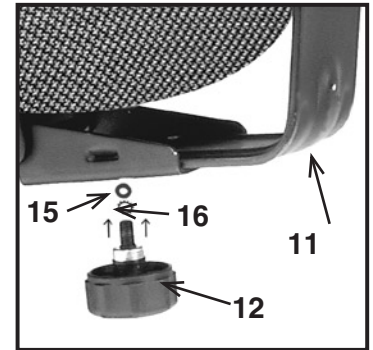


# TI-1102-30 SYNCHRO TILT MANAGERS CHAIR ASSEMBLY INSTRUCTIONS



**DETAIL A**



PART	QTY
1. Base	1
2. Casters	5
3. Pneumatic Cylinder	1
4. Bellows	1
5. Seat Plate	1
6. Seat Cushion	1
7. Back Cushion	1
8. 1" Screws	4
9. Arms Left (9L) Right (9R)	2
10. Arm Width Adjustment Knobs	2
11. Backrest Plate (pre-installed)	1
12. Back Rest Knob	1
13. Small Flat Washer	2
14. Small Star Washer	2
15. Large Flat Washer	1
16. Larger Star Washer	1
17. Allen Wrench (Not Shown)	1

Remove all parts from carton, separate by part numbers indicated on parts list, and verify part quantities.

**STEP 1.** Insert five Casters (2) into Base (1), push hard until you feel or hear the Caster (1) snap into place. Insert Pneumatic Cylinder (3) into Base (1) and slip Bellows (4) over Pneumatic Cylinder (3).

**STEP 2.** Attach adjustable Seat Plate (5) to Seat Cushion (6) with the arrow towards the front of the chair, using four 1" Screws (8). **TIGHTEN ALL FOUR SCREWS COMPLETELY.**

**STEP 3.** Attach Arms (9L & 9R) into Arm Bracket using Arm Width Adjustment Knob (10), Small Star Washer (14), and Small Flat Washer (13). **TIGHTEN BOTH ADJUSTMENT KNOBS.**

**STEP 4.** Place the assembled seat on top of Pneumatic Cylinder (3) and apply downward pressure.

**STEP 5.** Insert the Backrest Plate (11) to Seat Plate (5). **TIGHTEN THE BACKREST KNOB (12) COMPLETELY (SEE DETAIL A).**

**ATTENTION: MAKE SURE ALL SCREWS ARE FULLY TIGHTENED BEFORE USING CHAIR.**

# TI-1102-30

## SYNCHRO TILT MANAGERS CHAIR

### OPERATING INSTRUCTIONS

#### FEATURE

- **PNEUMATIC SEAT HEIGHT ADJUSTMENT**

To raise seat remove pressure from seat and lift lever (1).  
To lower seat height sit on chair and lift lever (1).

- **SYNCHRO TILT**

To recline backrest pull lever (2) out, to lock return backrest to upright position and push lever (2) in.

- **TILT TENSION ADJUSTMENT**

For individual comfort, this chair has been equipped with an adjustment that will allow the user to change the tension of the tilting feature. Turn knob (4) clockwise to increase tension and counter-clockwise to decrease or ease the tension.

**NOTE:** Be careful not to loosen back tilt adjustment knob completely.

- **ARM HEIGHT & WIDTH ADJUSTMENT**

To adjust arm height, push button (5) in to allow the arms to move up or down freely. Release the button (5) once the desired height is reached. To adjust width loosen Arm Width Adjustment Knob (3) under seat, slide arm to desired position then tighten knob.

