

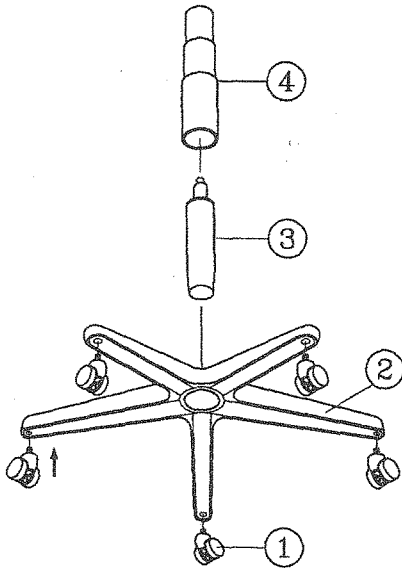
# ASSEMBLY INSTRUCTION

Remove all items from the carton . Verify all pieces before assembly.

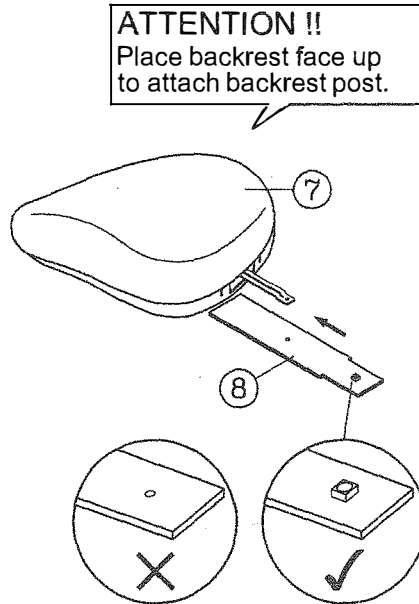
## PART LIST

KEY QTY	DESCRIPTION	KEY QTY	DESCRIPTION	KEY QTY	DESCRIPTION
1	5	Caster	7	1	Backrest
2	1	Base	8	1	Backrest Post
3	1	Seat Post	9	1	Backrest Screw
4	1	Seat Post Cover	10	1	M5 Size Allen Wrench
5	1	Mechanism	11	1	Backrest Bolt + Washers
6	1	Seat	12	1	M6 Size Allen Wrench
13	2	Armrest	14	2	Arm Width Adjustment Knob + Washers
15	2	Arm Bracket (Pre-assembled)	16	6	Machanism Screw

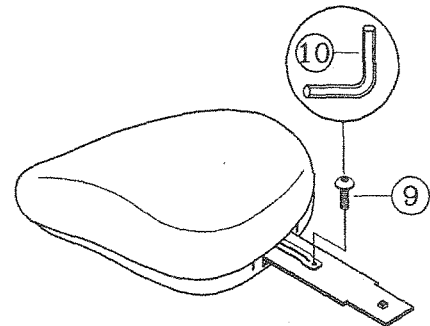
### STEP 1.



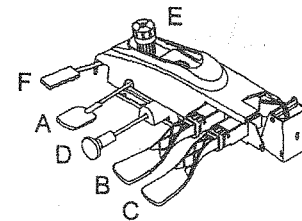
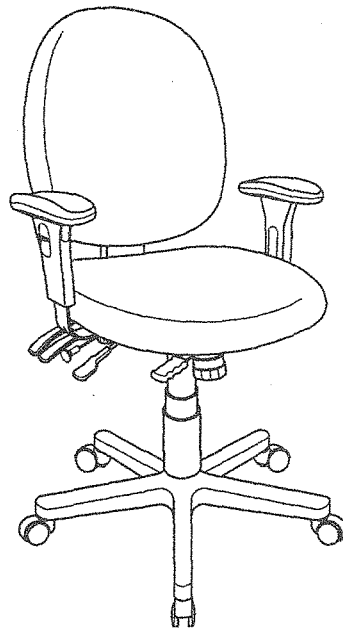
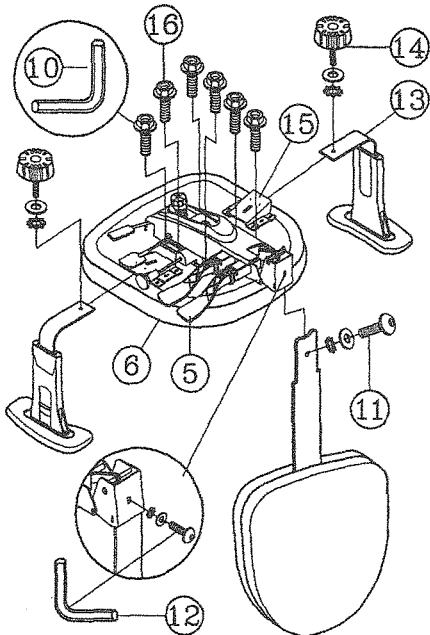
### STEP 2.



### STEP 3.



### STEP 4.



- A / Pneumatic seat height adjustment**
- B / Seat angle adjustment:**  
seat angle adjusts independently with a single lever.
- C / Back angle adjustment :**  
Back angle adjusts independently with a single lever.
- D / Sliding seat:**  
It provides seat depth adjustment for different user leg lengths.
- E / Tilt tension:** Controls rate and ease of recline.
- F / Forward tilt lever:**  
Provides tilting forward.

### PREVENTIVE MAINTENANCE AND WARNING!

- USE THIS PRODUCT ONLY FOR SEATING ONE PERSON AT A TIME.
- DO NOT USE THIS CHAIR AS A STEP STOOL / LADDER.
- DO NOT SIT ON ANY PART OF THE CHAIR EXCEPT THE SEAT.
- DO NOT USE CHAIR ON UNEVEN FLOOR SURFACES.
- DO NOT USE CHAIR UNLESS ALL BOLTS, SCREWS AND KNOBS ARE TIGHT. AT LEAST EVERY SIX MONTHS, CHECK ALL BOLTS, SCREWS AND KNOBS TO BE SURE THEY ARE TIGHT.
- IF ANY PARTS ARE MISSING, BROKEN, DAMAGED OR WORN, STOP USE OF THE PRODUCT UNTIL REPAIRS ARE MADE USING FACTORY AUTHORIZED PARTS.
- DISPOSE OF PACKAGING PROPERLY. PLASTIC BAG IS NOT A TOY. DO NOT USE PLASTIC BAG AS HEAD COVERING - IT MAY CAUSE SUFFOCATION.
- FAILURE TO FOLLOW THESE WARNINGS COULD RESULT IN SERIOUS INJURY.