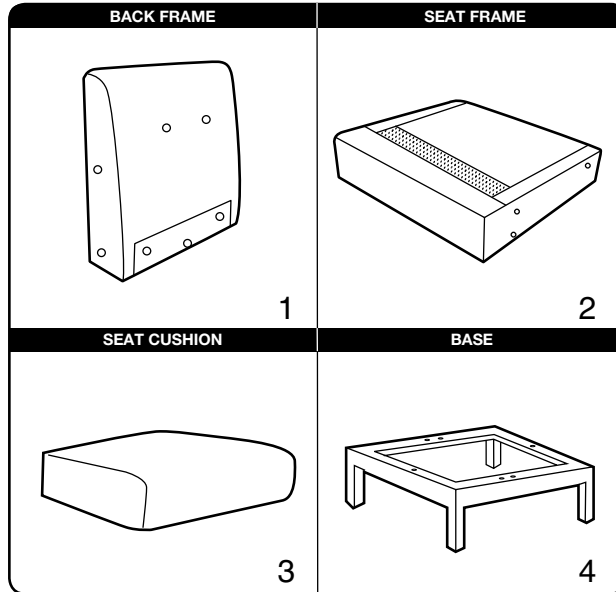
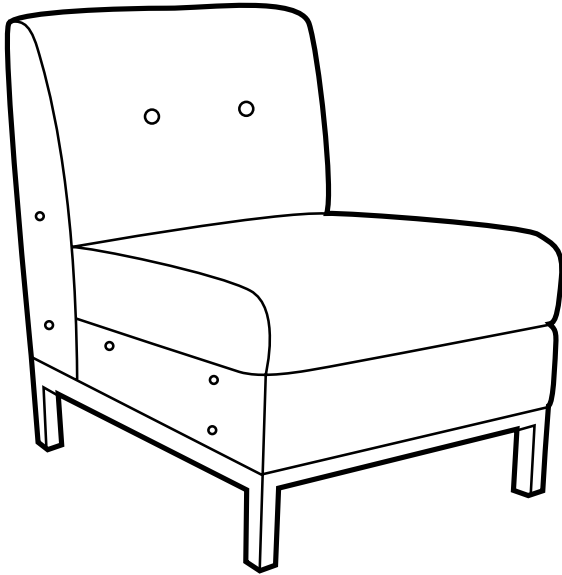


WST51N-B18

ASSEMBLY INSTRUCTIONS



No connection hardware included with armless chair.
Connection hardware is included with right and left arm chairs.

HARDWARE LIST				
A		5/16 x 2-15/16	BIG BOLT	3 PCS
B		5/16 X 1/2	SPRING WASHER	3 PCS
C		5/16 X 7/8	FLAT WASHER	7 PCS
D		5mm	BIG ALLEN KEY	1 PC
E		1/4 X 2-3/8	SMALL BOLT	4 PCS
F		4mm	SMALL ALLEN KEY	1 PC

DO NOT COMPLETELY TIGHTEN BOLTS UNTIL ALL STEPS ARE COMPLETED

